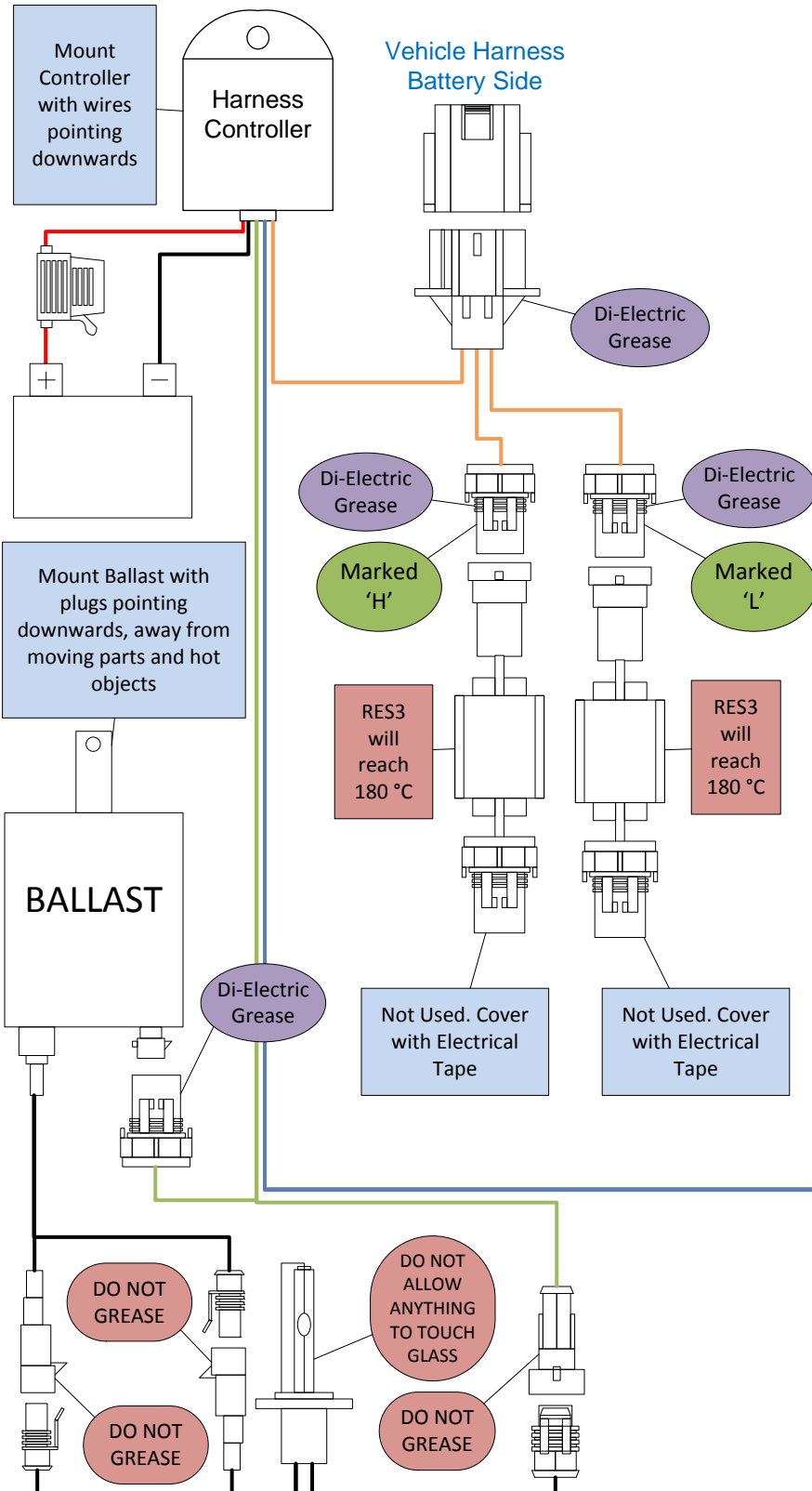




## H13 Bi-Xenon HILO Kit with 4 x RES3 and CH13

### Battery Side of Vehicle



### Opposite Side of Battery

